



/ Safelock

Sleek, sturdy, safe

/ GENERAL

The Safelock is an option that can be added to the Classic series and the Frontpark. A P-shaped bracket provides a support to lean the bicycle against and allows the possibility to attach the bicycle. This option is available in single and double-sided version and can then be installed separately. For double-sided versions, the two P-shaped brackets form a whole. One bracket per two parking spaces. In addition, two bicycles can be attached to one bracket.



/ DATASHEET

Structure

- P- or T-bended tube (Dxd=42x2mm)
- Base plates (LxBxH=90x30x8mm)

Material

- Steel

Versions

- Single sided
- Double sided

Compatible with

- Classic Citybike
- Classic Mountainbike
- Classic Special
- Frontpark

Dimensions

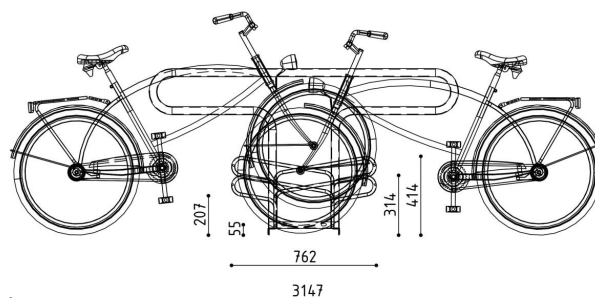
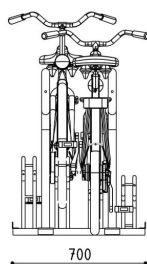
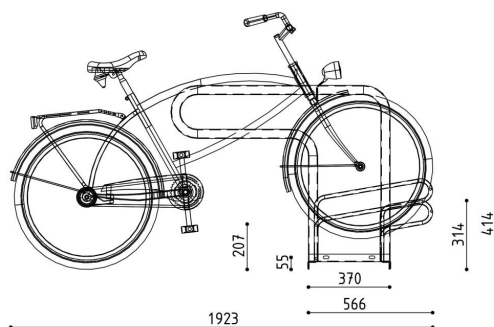
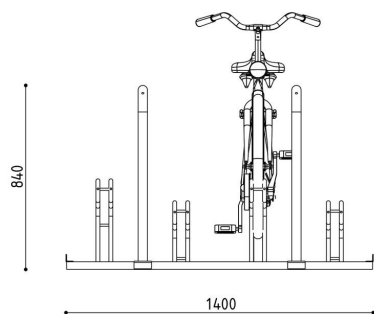
- Single sided: LxWxH = 999x42x840mm
- Double sided: LxWxH = 1628x42x841mm

Surface treatment

- Hot-dip galvanized steel

Anchoring

- With base plates and self-drilling screws



/ INSPIRE



