



## / Forever 3 400

Extremely convenient, except for vandals

# / GENERAL

Forever 3 is a very robust bicycle rack. The front-wheel supports end in a U-profile which ensures safe and optimal storage of bicycles. The wheel is not clamped but rests, as it were, in the wheel support. In addition, the model is provided with attachment features. The sturdy material used for Forever 3 guarantees extra durability, which makes it very suitable for intensive use and makes it extremely vandal-resistant. Typical for the Forever 3 are the support legs and the possibility to mount signs on the bicycle stand. The legs ensure that the bicycle rack can be regulated according to the surface on which it is placed. The option to mount signs makes this bicycle stand the ideal solution for a garage or large bicycle shelter. The signs are used as a marker and ensure that cyclists can easily remember where their bicycle is parked. Forever 3 is available in single and double-sided version.



# / DATASHEET

## Structure

- Wheel holder in round steel (D = 14mm) and rectangular U-profile (HxWxd = 40x50x4mm)
- Centered tube bracket (Dxd = 42.4x4mm)
- Base plates (LxWxH = 70x60x5mm)
- Round steel connecting bracket (D = 18mm)
- Support structure in square profile (HxWxd = 60x60x3mm)
- Adjustable feet with an anti-slip zone
- HPL cover plate 6mm

## Material

- Steel S235 JR

## Versions

Center distance 400mm

- Single-sided arrangement: 2/3/4/5/6/7/8 bicycle places
- Double-sided arrangement: 2 + 2/3 + 3/4 + 4/5 + 5/6 + 6/7 + 7/8 + 8 bicycle places

## Connecting options

- Yes

## Options

- Poster boards

## Dimensions

Single & double sided (max.tire thickness 65 mm)

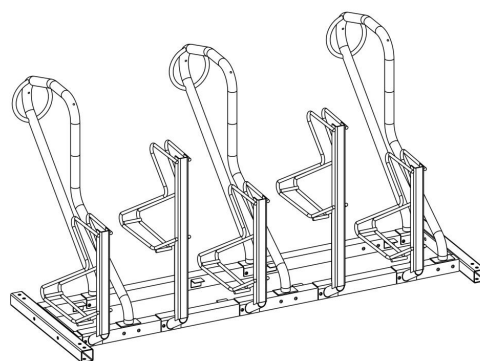
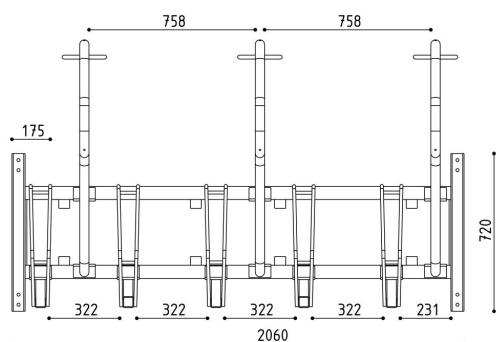
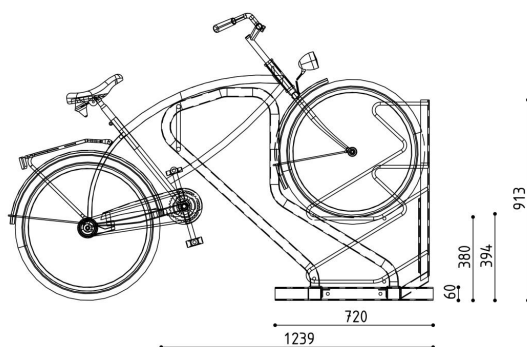
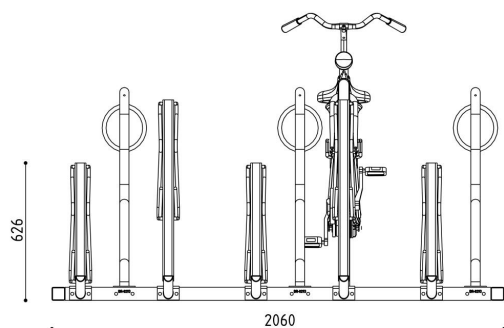
- 2/2 + 2 bicycle places: LxWxH = 860x1240 / 1760x969mm
- 3/3 + 3 bicycle places: LxWxH = 1260x1240 / 1760x969mm
- 4/4 + 4 bicycle places: LxWxH = 1660x1240 / 1760x969mm
- 5/5 + 5 bicycle places: LxWxH = 2060x1240 / 1760x969mm
- 6/6 + 6 bicycle places: LxWxH = 2460x1240 / 1760x969mm
- 7/7 + 7 bicycle places: LxWxH = 2860x1240 / 1760x969mm
- 8/8 + 8 bicycle places: LxWxH = 3260x1240 / 1760x969mm

## Surface treatment

- Hot-dip galvanized steel

## Anchoring

- Can be placed without anchoring
- By chemical anchoring



# / INSPIRE



